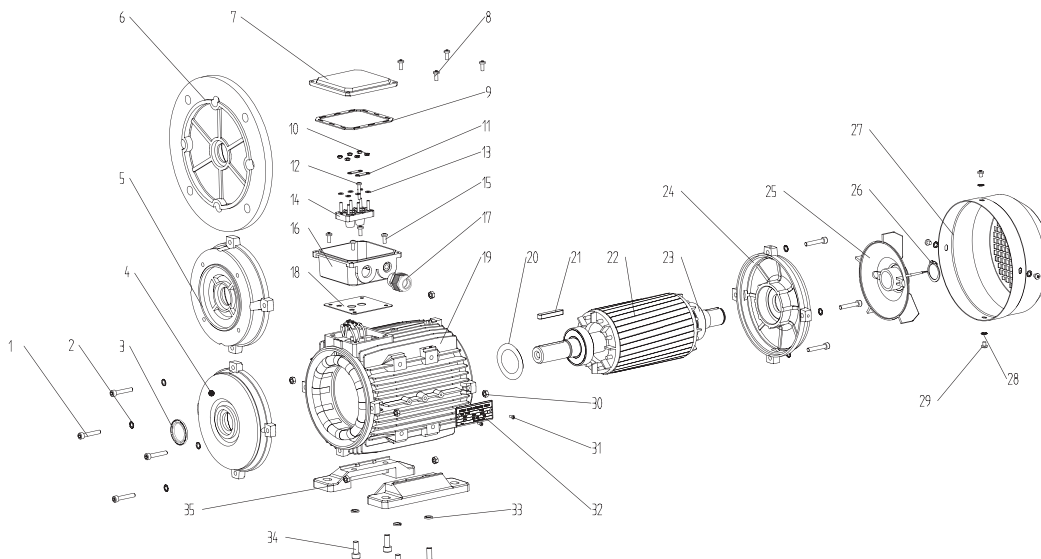


# Motor Spare Part List "Exploded Drawing"



1. Screw
2. Gasket
3. Oil seal
4. Front endshield
5. B14 flange
6. B5 flange
7. TB cover
8. TB fixing screws
9. TB upper gasket
10. Terminal board fixing nut
11. Terminal bridge
12. Terminal pin
13. Terminal shim
14. Terminal board
15. TB fixing screws
16. TB base
17. Cable gland
18. TB bottomgasket
19. Frame
20. Preload washer
21. Key
22. Rotor
23. Bearing
24. NDE endshield
25. Cooling fan
26. Fan circlip
27. Fan cover
28. Fan cover fixing shim
29. Fan cover fixing screws
30. Endshield fixing nut
31. Rivet
32. Nameplate
33. Foot fixing nut
34. Foot fixing screws
35. Foot

This catalogue is only a reference for users.  
The concrete data be changed please contact with us before ordering.

# Mountings and Positions

Mountings and positions for standard motors, according to IEC 60034-7, are defined by the codes mentioned in the following table.

	Standards			Frame Sizes
	CEI 2-14	IEC 60034-7		56-200
		Code I	Code II	
	B3	IM B3	IM 1001	Standard
	B3/B5	IM B35	IM 2001	Standard
	B5	IM B5	IM 3001	Standard
	B14	IM B14	IM 4001	Standard
	B8	IM B8	IM 1071	Upon request
	B6	IM B6	IM 1051	Upon request
	B7	IM B7	IM 1061	Upon request

	Standards			Frame Sizes
	CEI 2-14	IEC 60034-7		56-200
		Code I	Code II	
	V1	IM V1	IM 3011	Standard
	V3	IM V3	IM 3031	Upon request
	V5	IM V5	IM 1011	Upon request
	V6	IM V6	IM 1031	Upon request
	V1/V5	IM V15	IM 2011	Upon request

## Aluminum Housing Electric Motors Bearings & Oil Seals

Frame	Bearings		Oil Seals	
	Drive End	Non-drive End	Drive End	Non-drive End
56	6201	6201	12×22×5	12×22×5
63	6201	6201	12×24×5	12×24×5
71	6202	6202	15×25×7	15×25×7
80	6204	6204	20×34×7	20×34×7
90S	6205	6205(6204)※※	25×37×7	25×37×7(20×34×7)※※
90L	6205	6205(6204)※※	25×37×7	25×37×7(20×34×7)※※
100L	6206	6206	30×44×7	30×44×7
112M	6306	6206(6306)	30×44×7	30×44×7
132S	6308	6208(6308)	40×58×7	40×58×7
132M/L	6308	6208(6308)	40×58×7	40×58×7
160M	6309	6309	45×65×8	45×65×8
160L	6309	6309	45×65×8	45×65×8
180M	6311	6211	55×72×8	55×72×8
180L	6311	6211	55×72×8	55×72×8
200L	6312	6212	60×80×8	60×80×8

※ Other standards are also available on request, the figures in brackets() are for the MC/ML single phase motors